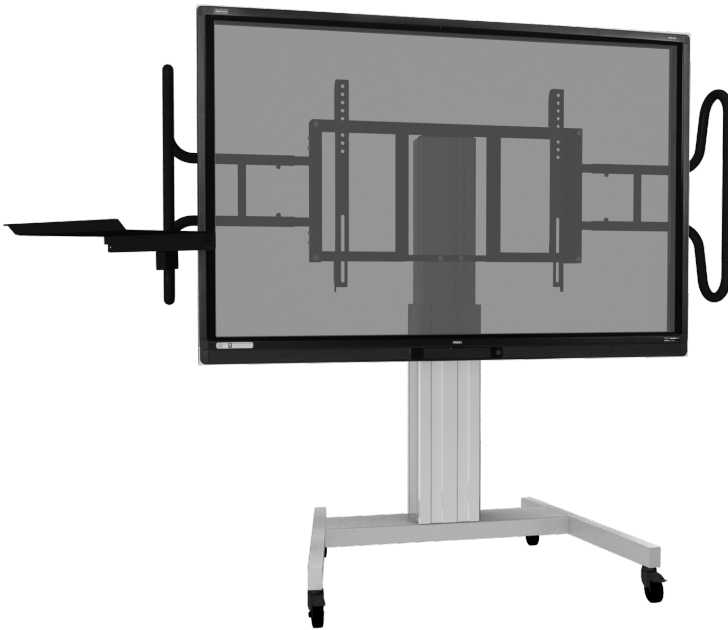


ELECTRICALLY HEIGHT-ADJUSTABLE MOBILE TV STAND AND DISPLAY CART JOLLI IN SILVER WITH 50 CM VERTICAL TRAVEL
WITH V-CHASSIS, SIDE HANDLES AND PRACTICAL LAPTOP STORAGE

PRODUCT



The JOLLI mobile TV stand & display cart is the next generation of flat panel tv carts for education. The tv cart Jolli allows for the display to be smoothly raised and lowered and to be moved from classroom to classroom, connecting teachers and students with the latest technologies. Designed for rugged environments, the cart features a sturdy metal base with heavyduty castors.

The V-shape base ensures easy access, including those in wheelchair. Large ergonomic handles on each side of the display aid mobility and help protect the display in transport.

Safely concealed in the center column is the UL certified actuator which offers 50 cm of smooth height adjustment. With a push of a button the display can be adjusted so that teacher and children can interact with the display.

Accessories



Extender for 2-part height adjustable aluminum columns



Lockable wall brackets



Lockable mini PC bracket for frame mounting



Universal PC bracket



Safety padlock 1 piece



Safety padlock 4 pieces

FEATURES

- > VESA standard compliant
- > Mobile, Jolli V-frame
- > 4 heavy duty castors, 2 of them lockable
- > Chassis color: white aluminium (RAL 9006)
- > Bracket with side handles
- > Laptopboard



Display mount



Mobile



Motorized height adjustable



Single display



Max. load
150 kg / 330.7 lbs

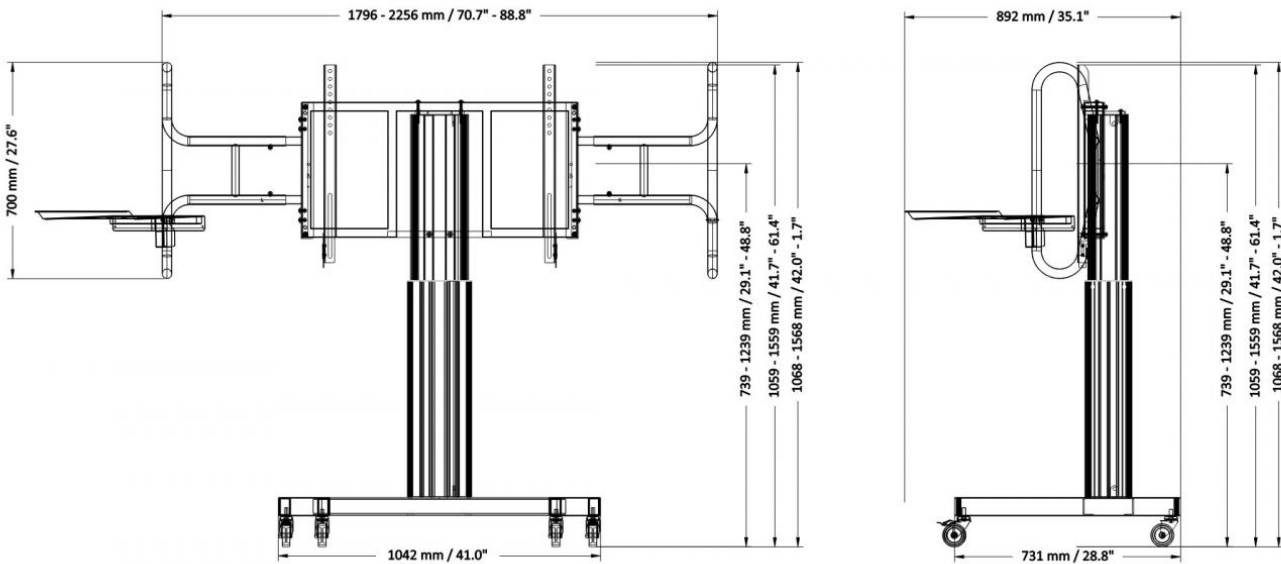


Max. Vesa
800 x 600

Item number	JOLLI-V3	
Vesa horizontal / Vesa vertical	200 mm - 800 mm / 200 mm - 600 mm	
Frame for all	42" - 86"	
Center to floor distance	1120 mm - 1620 mm	44.1" - 63.8"
Load capacity	150 kg	330.7 lbs
Width / Height / Depth	2300 mm / 1575 mm - 20075 mm / 735 mm	90.6" / 62" - 790.4" / 28.9"
Weight	52 kg	114.6 lbs
Frame color	RAL 9005 deep black	
Column color	Natural anodized	
Chassis color	RAL 5015 heaven blue	

DIMENSIONS

in mm / inch



Stirling Communications Supply Co.
 29 Poplar Drive Stirling, NJ 07980
 908-660-4152
www.stirlingcomm.com & www.conenUSA.com
 For orde please email sales@stirlingcomm.com