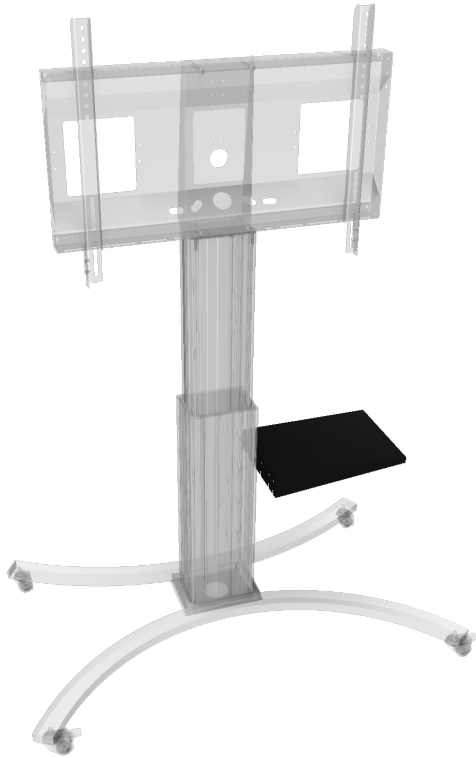


LAPTOP SIDE SHELF

CONNECTS TO CENTRAL ALUMINUM COLUMN



PRODUCT

Side shelf connects to the right and/ or left side of the pylon. Allows for 4 different mounting positions.

FEATURES

- › Compatible with SCETA and SCEXL series
- › Dimension: W/H/D 415x25/60x295 mm
- › Steel plate 2 mm
- › Powder coated in RAL 9005, black
- › Including mounting accessories (4x sliding block with thread, 4x nut with integrated washer)

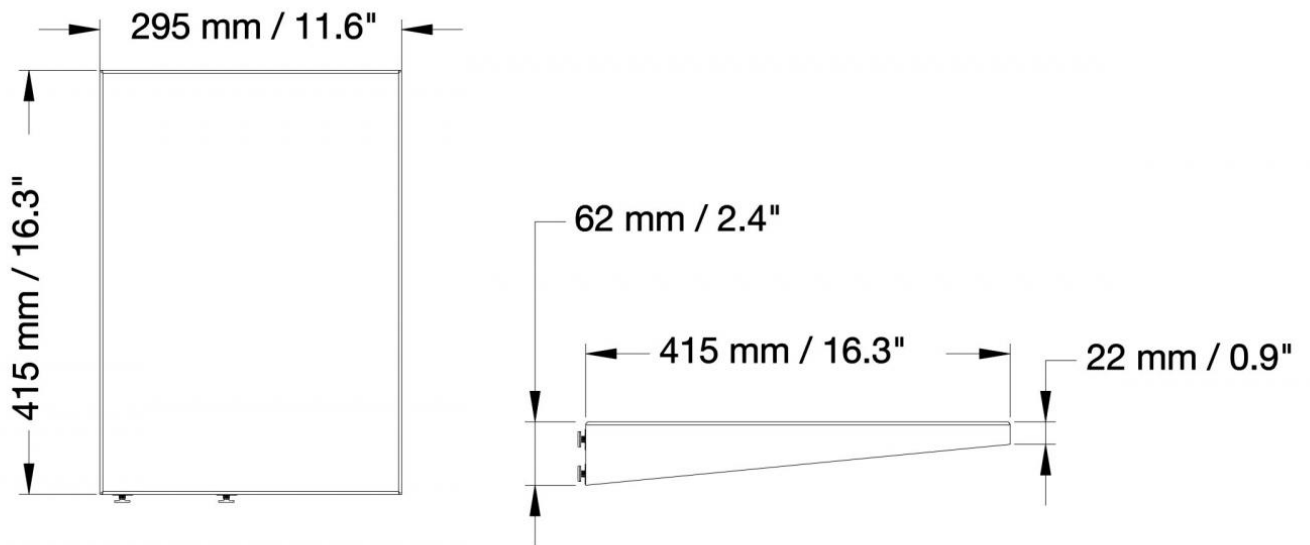


Max. load
10 kg / 22 lbs

Item number	LAP4-SM	
Load capacity	10 kg	22 lbs
Width / Height / Depth	415 mm / 25 mm - 60 mm / 295 mm	16.3" / 1" - 2.4" / 11.6"
Weight	2,9 kg	6.4 lbs
Packages	Package dimensions WxHxD	Package weight
LAP4-SM	440 x 90 x 340 mm / 17.3 x 3.5 x 13.4"	3,4 kg / 7.4 lbs

DIMENSIONS

in mm / inch



Stirling Communications Supply Co.
www.stirlingcomm.com & www.conenUSA.com
 29 Poplar Drive, Stirling, NJ 07980
 Tel: 908-604-9360
 Fax: 908-647-4904
 For orders please email sales@stirlingcomm.com