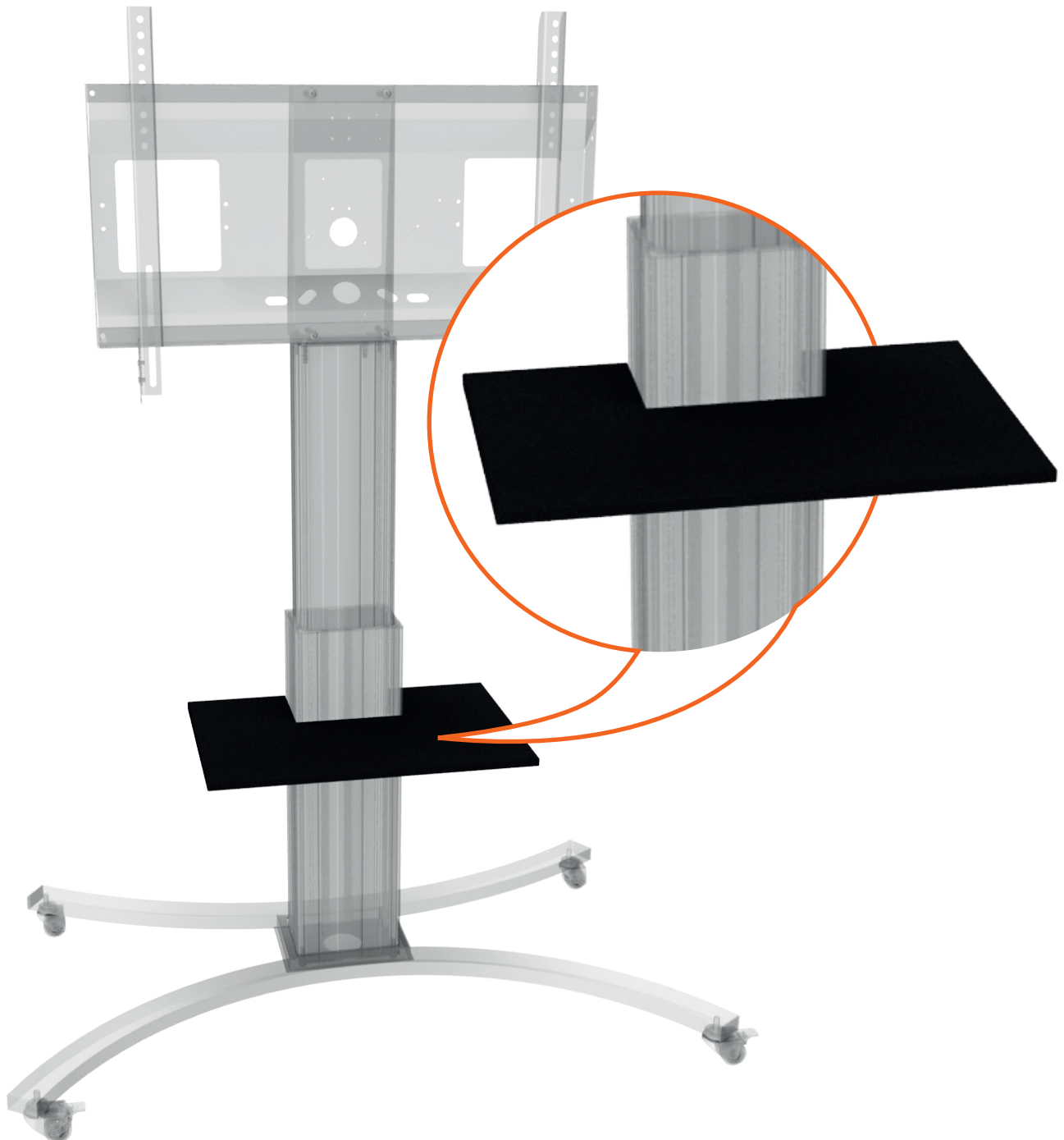
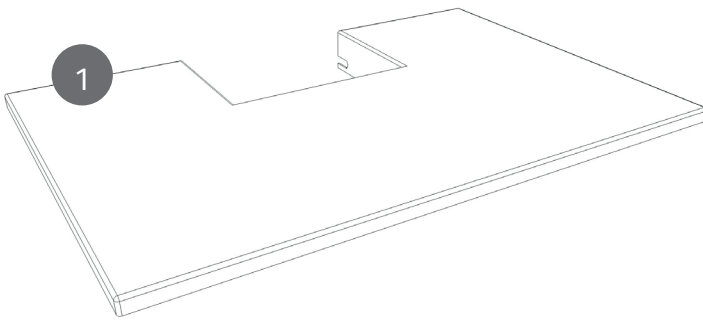


Frontshelf

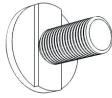
for attachment to the pylon column




PACKAGE CONTENTS

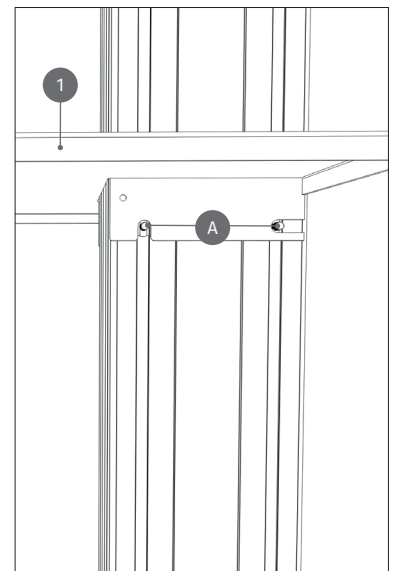
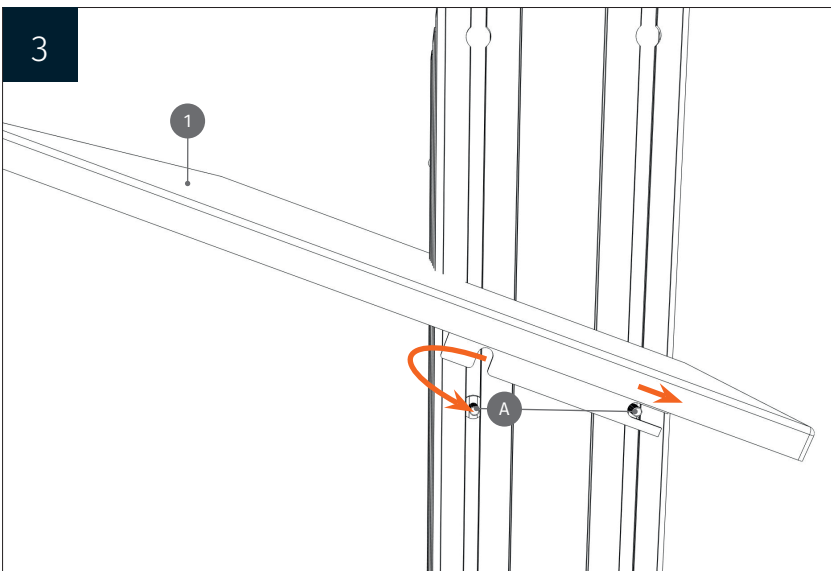
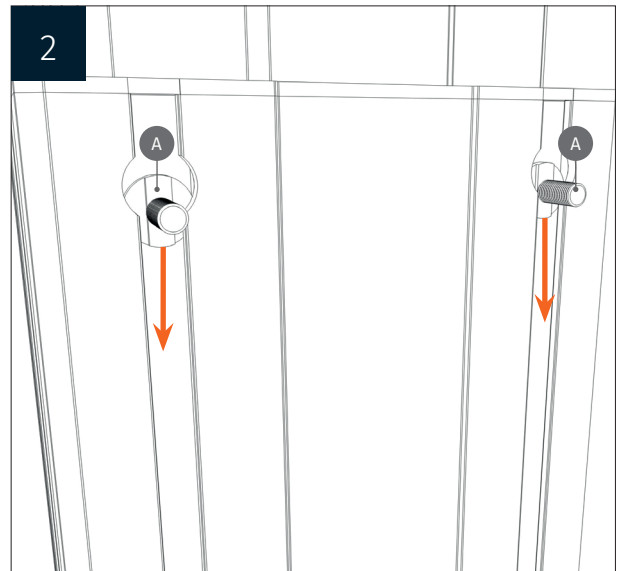
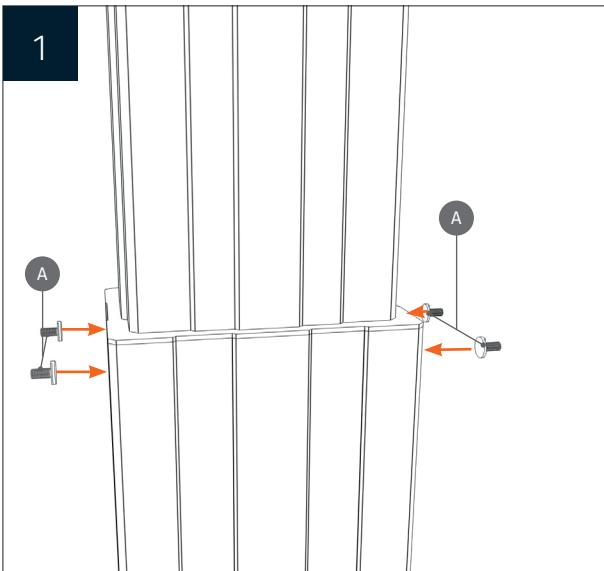


1 Frontshelf

A  4 x Sliding block

B  4 x M8 Self-locking nuts

MOUNTING INSTRUCTIONS



MOUNTING INSTRUCTIONS

